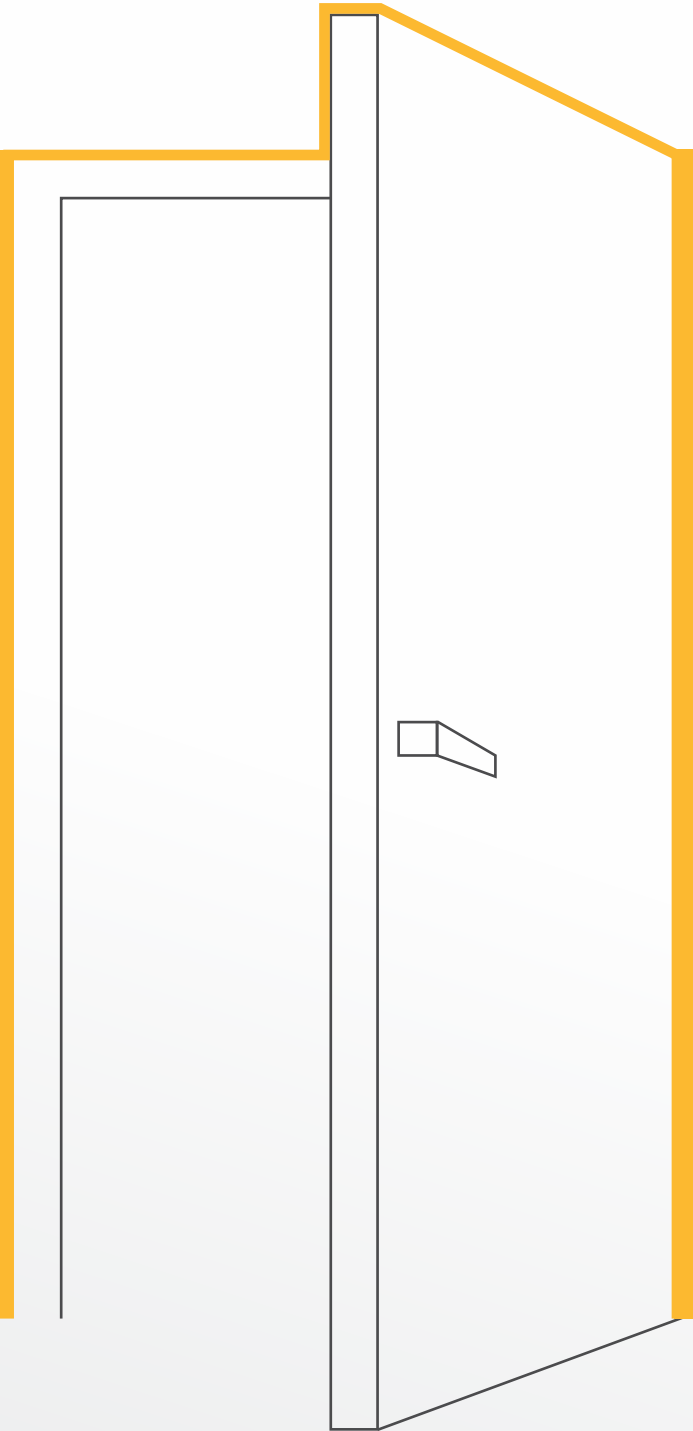


Hardware & Accessories for  
**uPVC & Aluminium Doors,  
Windows & Curtain Walls**

[www.mccoy8m.in](http://www.mccoy8m.in) | 8010-434-434



**Single Grooved Wheel Nylon Roller for PVC-U  
Sliding Windows - McCoy SR-2**

# Single Grooved Wheel Nylon Roller for PVC-U Sliding Windows – McCoy SR-2

## Highlights:

- Single grooved wheel nylon roller for PVC-U application.
- Capacity of the roller is 30 kg per pair
- Width of the roller is 16mm.
- Height of the roller is 13mm.
- The wheel is made of polyoxymethylene (POM) plastic – polyoxymethylene is an engineering thermoplastic used in precision parts requiring high stiffness, low friction, and excellent dimensional stability.
- Body is of cs steel with chrome passivation of thickness 8µm.
- Successfully tested for 72 hours in salt spray.
- Successfully tested for 25,000 cycles of operation under full load conditions of 30kg.
- Packing size 100 nos. Per box.



Remark: The directives contained in this documentation are the result of our experiments and of our experience and have been submitted in good faith. Because of the diversity of the materials and substrates and the great number of possible applications which are out of our control, we cannot accept any responsibility for the results obtained. In every case it is recommended to carry out preliminary experiments.

## McCoy Silicones Limited

(Facade & Fenestration Division)

C-55, Okhla Industrial Area, Phase-1, New Delhi-110020  
Tel: +91-11-40623344 | Fax: +91-11-40623355

info@mccoy8m.in | 8010-434-434  
mccoygroup.in | mccoy8m.in

### Certification

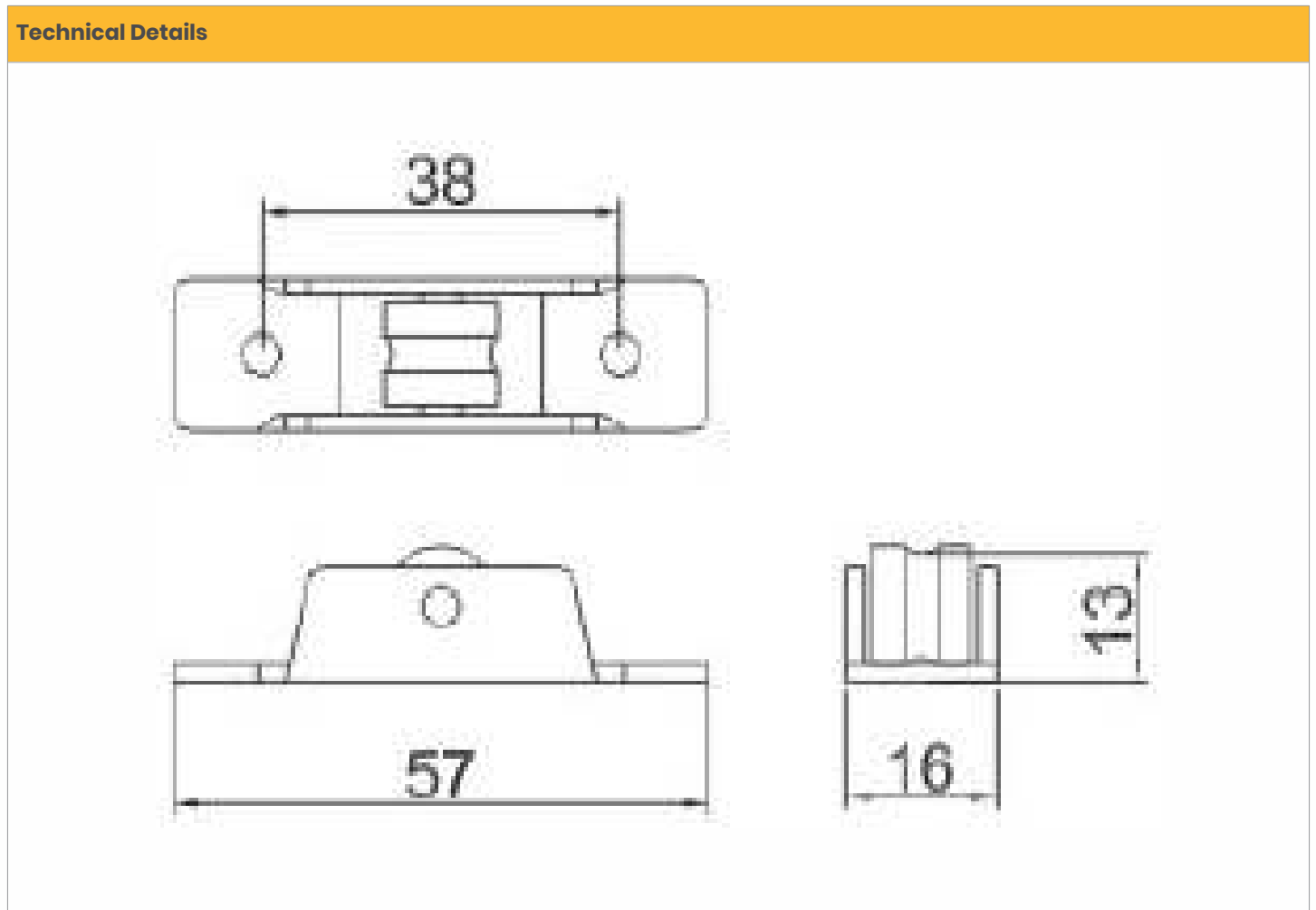


McCoy Soudal is proud to be associated with:



**M**  
A McCoy Group Company

Feature	Advantage	Benefit
Roller made of Polyoxymethylene (POM) Plastic	Roller has high stiffness, low friction, and excellent dimensional stability, so, wheel retains dimensional correctness for a long time.	Longer service life.
Successfully tested for 72 hours of Salt Spray test.	Fairly good resistance to corrosion.	Longer service life.
Successfully tested for 25,000 cycles of operation under full load conditions.	Very durable and robust in construction.	Longer service life.
Chrome passivation coating thickness of 8µm.	Good resistance to corrosion.	Long Service life.



Remark: The directives contained in this documentation are the result of our experiments and of our experience and have been submitted in good faith. Because of the diversity of the materials and substrates and the great number of possible applications which are out of our control, we cannot accept any responsibility for the results obtained. In every case it is recommended to carry out preliminary experiments.

# WELCOME TO THE WORLD OF TECHNOLOGY

## MCCOY PARTNER SELF SERVICE (PSS) APP



- ✓ Quick order
- ✓ Check order status
- ✓ Check account
- ✓ Loyalty rewards
- ✓ Product videos etc..

Download Now



Products available online on  
**mccoymart.com**

www.mccoy8m.in ☎ +91-8010434434

Remark: The directives contained in this documentation are the result of our experiments and of our experience and have been submitted in good faith. Because of the diversity of the materials and substrates and the great number of possible applications which are out of our control, we cannot accept any responsibility for the results obtained. In every case it is recommended to carry out preliminary experiments.

### McCoy Silicones Limited

(Facade & Fenestration Division)

C-55, Okhla Industrial Area, Phase-1, New Delhi-110020

Tel: +91-11-40623344 | Fax: +91-11-40623355

info@mccoy8m.in | 8010-434-434  
mccoygroup.in | mccoy8m.in

#### Certification



McCoy Soudal is proud to be associated with:



**M**  
A McCoy Group Company