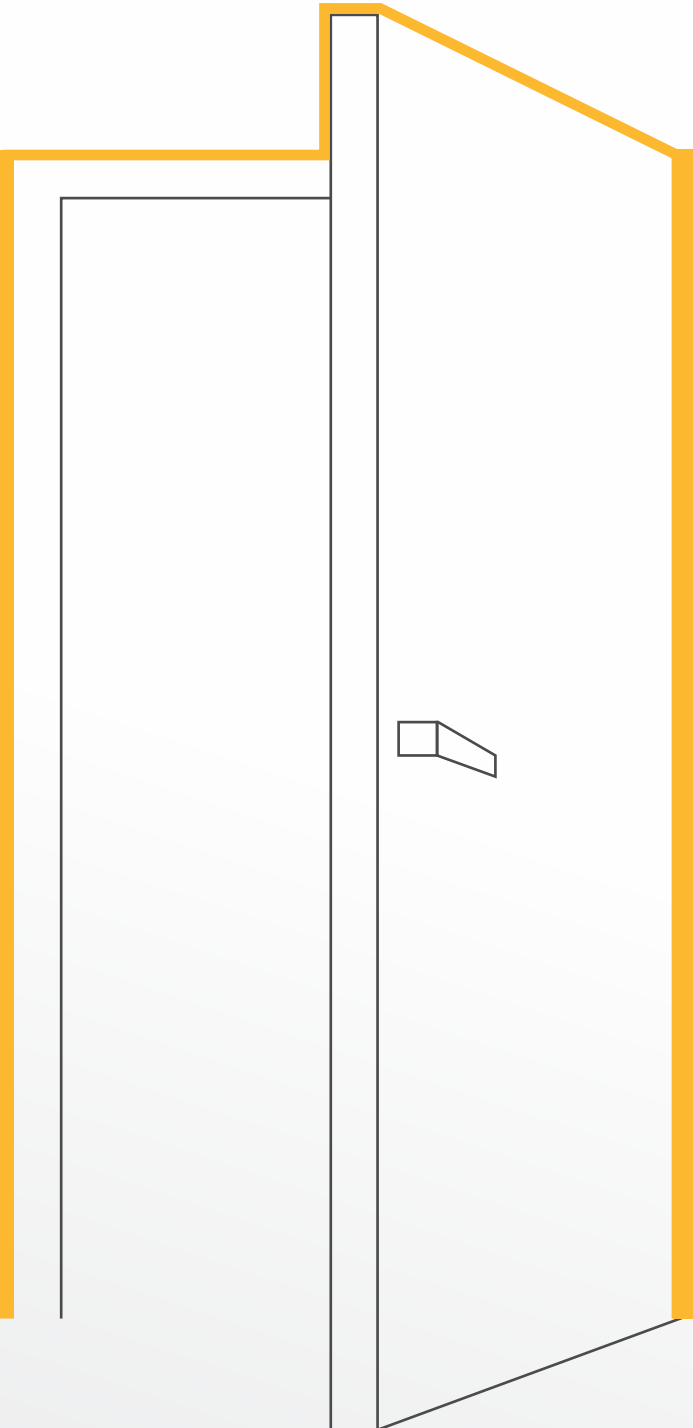


Hardware & Accessories for
**uPVC & Aluminium Doors,
Windows & Curtain Walls**

www.mccoy8m.in | 8010-434-434



**PVC-U Sliding Door Handle with
Integral Key - McCoy EHK-1**

PVC-U Sliding Door Handle with Integral Key – McCoy EHK-1

Highlights:

- A Multi-Point Locking Handle for Sliding PVC-U Doors and Windows McCoy EHK-1.
- Can be used for Inward opening windows also.
- A stylishly curved L Shaped Aluminium Zinc Alloy Die Cast Body.
- Suitable for most PVC-U profiles.
- Ergonomic design and easy to operate with lesser effort.
- Total height of the handle is 57 mm.
- Total length of the operating lever of the handle is 130 mm.
- The Base Width of the handle is 28 mm.
- Spindle length is 30-35 mm.
- Spindle Cross Section is 7mm (+0.0/-0.1mm.)
- Available in White or Black Powder Coating finish.
- Coating thickness of 90 Microns.
- 24x7 Technical Support.
- Guaranteed for 10 years
- Packing size 120 per box.

Note: The Locking arrangement on this handle is meant purely as a child safety measure, and, should not be mis-construed as a barrier against an adult generated intrusion attempt.



Remark: The directives contained in this documentation are the result of our experiments and of our experience and have been submitted in good faith. Because of the diversity of the materials and substrates and the great number of possible applications which are out of our control, we cannot accept any responsibility for the results obtained. In every case it is recommended to carry out preliminary experiments.

McCoy Silicones Limited

(Facade & Fenestration Division)

C-55, Okhla Industrial Area, Phase-1, New Delhi-110020

Tel: +91-11-40623344 | Fax: +91-11-40623355

info@mccoy8m.in | 8010-434-434

mccoygroup.in | mccoy8m.in

Certification



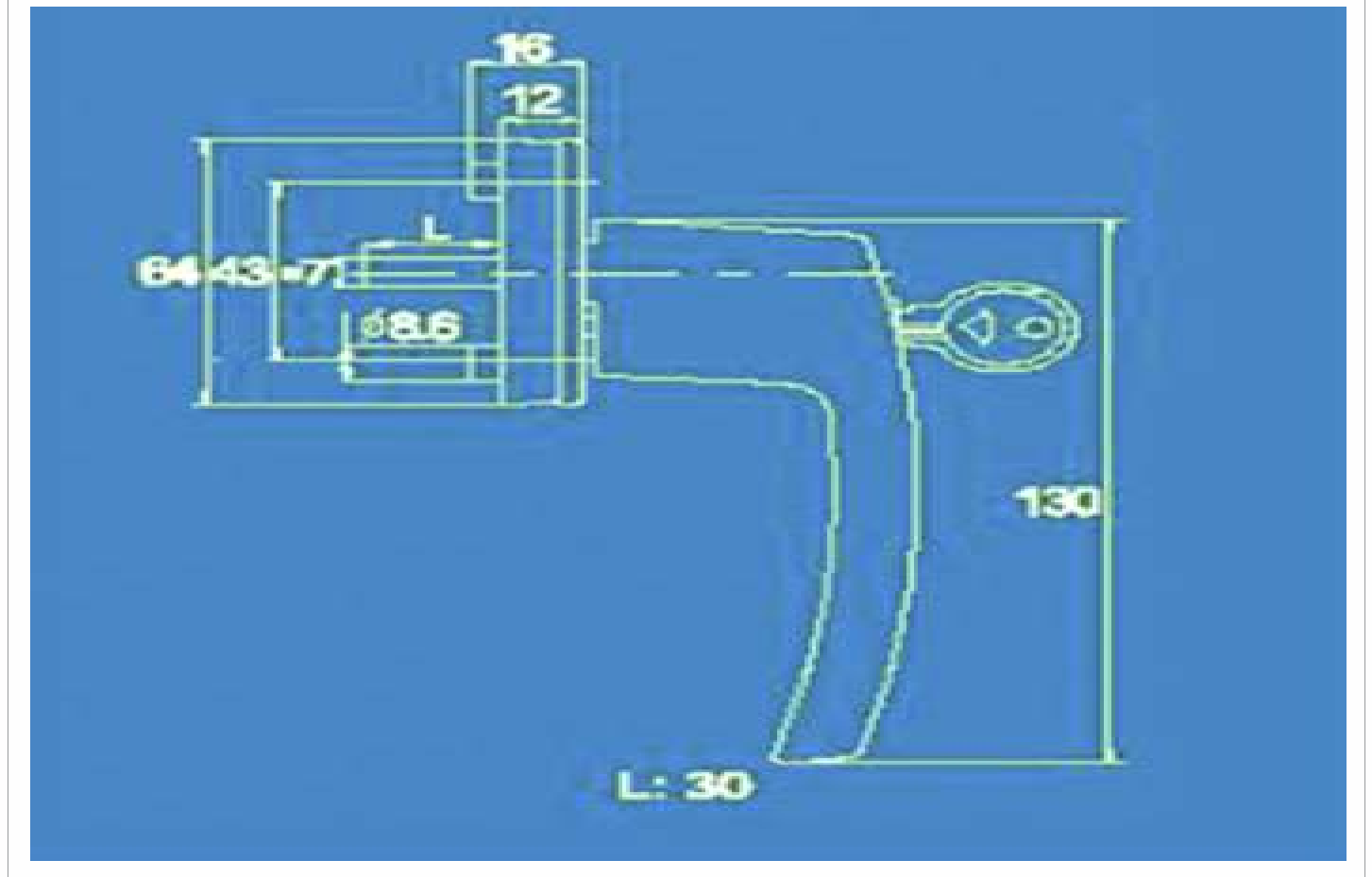
McCoy Soudal is proud to be associated with:



M
A McCoy Group Company

Feature	Advantage	Benefit
Spindle length 35 mm.	The spindle will reach and cross the Espag, thus giving a proper grip to operate.	Suitable for most Profile – Espag combinations. No slippage while operating inside the Espag hole, so longer service life.
Coating thickness 90 µm	Colour does not fade / come off due to weather conditions or repeated gripping by hand.	Longer service life.
Base width 28 mm.	Can be used for outward opening windows when there is constrained space on sash for mounting the handle.	Suitable for use with most profiles.

Technical Details



Remark: The directives contained in this documentation are the result of our experiments and of our experience and have been submitted in good faith. Because of the diversity of the materials and substrates and the great number of possible applications which are out of our control, we cannot accept any responsibility for the results obtained. In every case it is recommended to carry out preliminary experiments.

WELCOME TO THE WORLD OF TECHNOLOGY
MCCOY PARTNER SELF SERVICE (PSS) APP



- ✓ Quick order
- ✓ Check order status
- ✓ Check account
- ✓ Loyalty rewards
- ✓ Product videos etc..

Download Now



Products available online on
mccoymart.com

www.mccoy8m.in ☎ +91-8010434434

Remark: The directives contained in this documentation are the result of our experiments and of our experience and have been submitted in good faith. Because of the diversity of the materials and substrates and the great number of possible applications which are out of our control, we cannot accept any responsibility for the results obtained. In every case it is recommended to carry out preliminary experiments.