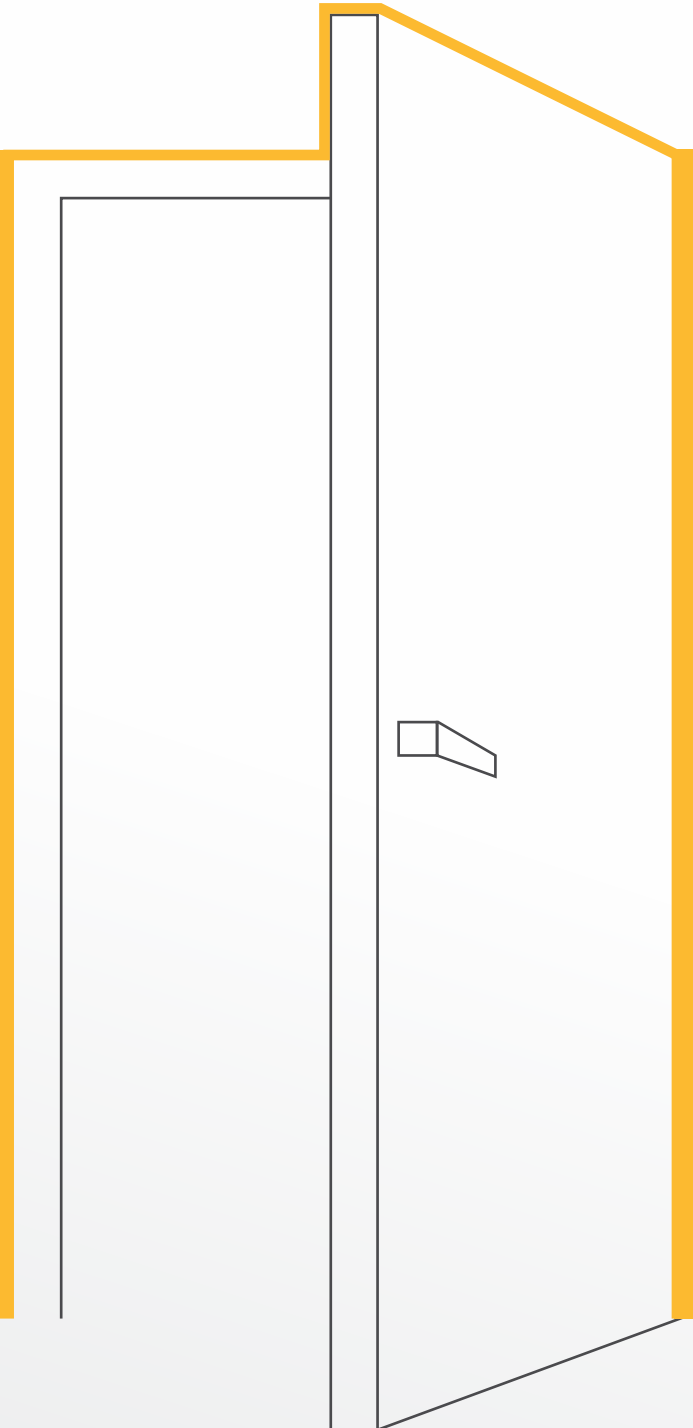


Hardware & Accessories for
**uPVC & Aluminium Doors,
Windows & Curtain Walls**

www.mccoy8m.in | 8010-434-434



**Single Point Locking Handle for Aluminium
Casement Windows – McCoy SPPB**

Single Point Locking Handle for Aluminium Casement Windows – McCoy SPPB

Highlights:

- A single point Push Button operated Locking Handle for Outward and Inward opening Aluminium Casement Windows.
- Body made from the new family of Zinc-Aluminium based Die Casting Materials containing higher Aluminium than standard Zinc alloys characterized by high Strength and Hardness and good Bearing properties.
- An aesthetically pleasing curved Zinc Alloy Die Cast Body for enhanced looks and ergonomics.
- Left and Right Hand versions available.
- Inward curling of the Handle lever gives for easy gripping and ease of use with less effort.
- Available in White or Black Powder Coating finish.
- Sleekly designed oval base with a width of 17mm.
- The overall Length of the Handle is 168mm.
- Total Height of Handle is 46mm.
- Coating thickness of 90µm.
- Hook, Hook Packers, Handle Packers, Screw Caps and 4 numbers Fixing Screws for Frame and Hook, respectively, come as part of the standard packing.
- Hook Packers of thicknesses 1mm. and 3mm. are available with each packing.
- Handle Packers of available in standard packing.
- 24 x 7 Technical Support.
- Guaranteed for 10 Years.
- Packing size 100 per box.

Note: The Locking arrangement on this handle is meant purely as a child safety measure, and, should not be mis-construed as a barrier against an adult generated intrusion attempt.



Remark: The directives contained in this documentation are the result of our experiments and of our experience and have been submitted in good faith. Because of the diversity of the materials and substrates and the great number of possible applications which are out of our control, we cannot accept any responsibility for the results obtained. In every case it is recommended to carry out preliminary experiments.

McCoy Silicones Limited

(Facade & Fenestration Division)

C-55, Okhla Industrial Area, Phase-1, New Delhi-110020

Tel: +91-11-40623344 | Fax: +91-11-40623355

info@mccoy8m.in | 8010-434-434
mccoygroup.in | mccoy8m.in

Certification



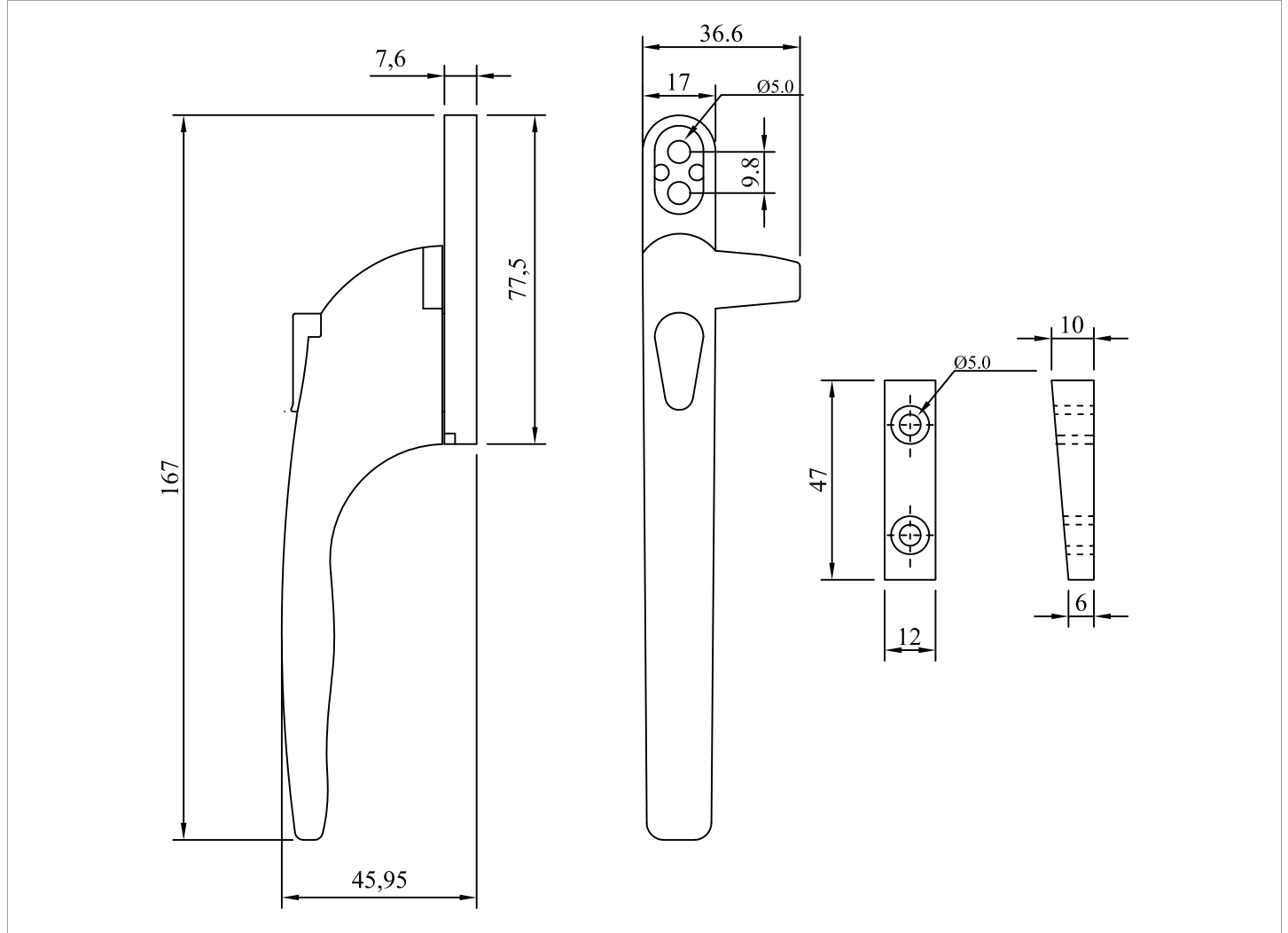
McCoy Soudal is proud to be associated with:



A McCoy Group Company

Feature	Advantage	Benefit
Ergonomic Design with Inward curling end of the Handle lever	Less effort needed to operate even with multiple locking points	Easy to use for the user.
Coating Thickness of 90µm.	Good resistance to Corrosion.	Can be used in adverse weather conditions also.
Zinc – Aluminium based Die Cast body	Higher Strength and Hardness and Better Bearing properties.	Longer Service Life and less Wear and tear.

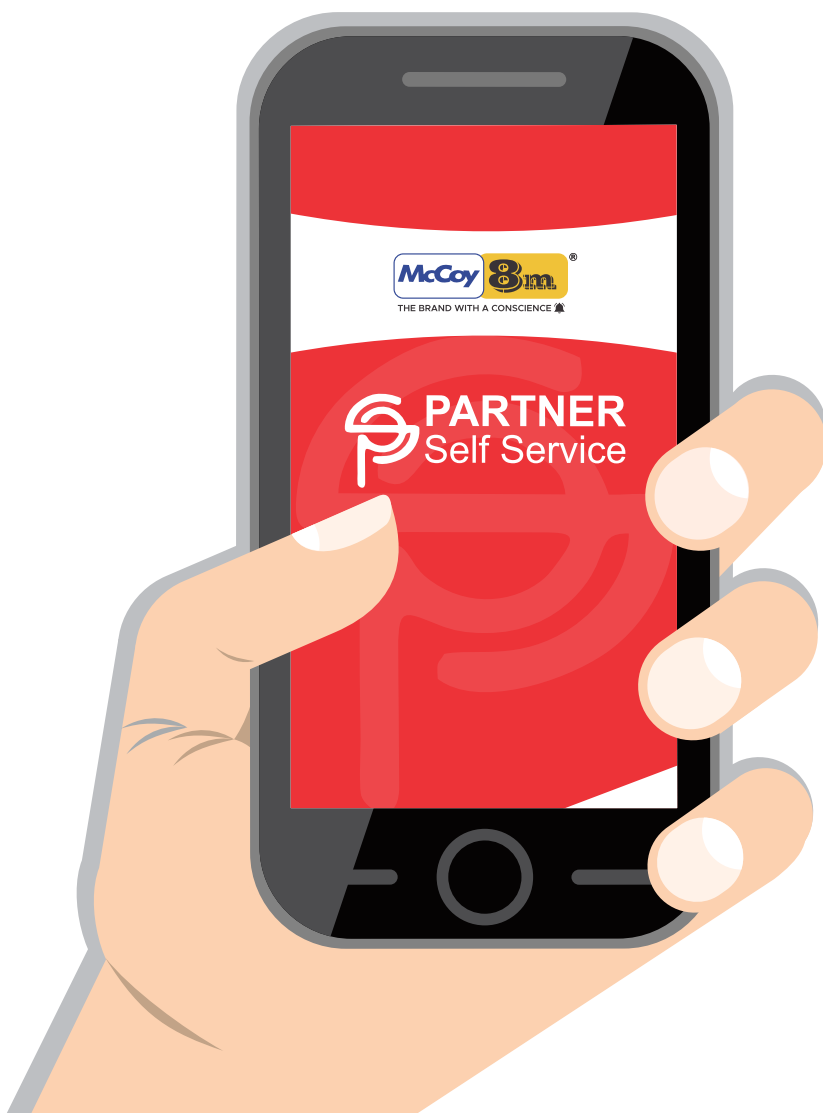
Technical Details



Remark: The directives contained in this documentation are the result of our experiments and of our experience and have been submitted in good faith. Because of the diversity of the materials and substrates and the great number of possible applications which are out of our control, we cannot accept any responsibility for the results obtained. In every case it is recommended to carry out preliminary experiments.

WELCOME TO THE WORLD OF TECHNOLOGY

MCCOY PARTNER SELF SERVICE (PSS) APP



- ✓ Quick order
- ✓ Check order status
- ✓ Check account
- ✓ Loyalty rewards
- ✓ Product videos etc..

Download Now



Products available online on
mccoymart.com

www.mccoy8m.in | +91-8010434434

Remark: The directives contained in this documentation are the result of our experiments and of our experience and have been submitted in good faith. Because of the diversity of the materials and substrates and the great number of possible applications which are out of our control, we cannot accept any responsibility for the results obtained. In every case it is recommended to carry out preliminary experiments.

McCoy Silicones Limited

(Facade & Fenestration Division)

C-55, Okhla Industrial Area, Phase-1, New Delhi-110020

Tel: +91-11-40623344 | Fax: +91-11-40623355

info@mccoy8m.in | 8010-434-434
mccoygroup.in | mccoy8m.in

Certification



McCoy Soudal is proud to be associated with:



A **McCoy Group Company**