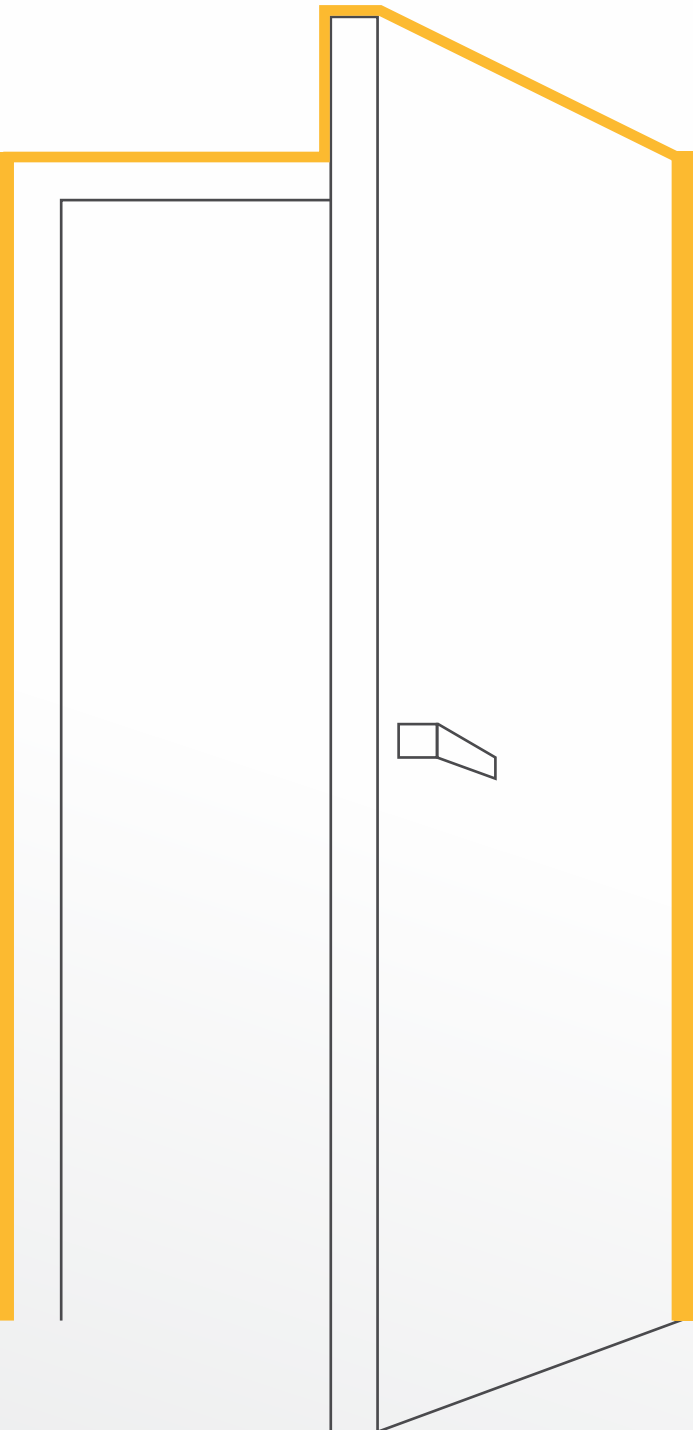


Hardware & Accessories for
**uPVC & Aluminium Doors,
Windows & Curtain Walls**

www.mccoy8m.in | 8010-434-434



**Outward Opening PVC-U Casement
Window Handle - McCoy CWH-1**

Outward Opening PVC-U Casement Window Handle – McCoy CWH-1

Highlights:

- A Multi-Point Locking Handle for Outward opening PVC-U Windows. Can be used for Inward opening windows also.
- A stylishly curved L Shaped Aluminium Alloy Die Cast Body.
- Suitable for most PVC-U profiles.
- Ergonomic design and easy to operate with lesser effort.
- Body made from the new family of Aluminium Alloy based Die Casting Materials containing higher Aluminium than standard Zinc alloys characterized by high Strength and Hardness and good Bearing properties.
- Total height of the handle 57 mm.
- Total length of the operating lever of the handle 160 mm.
- The Base Width of the handle is 18.6 mm.
- Spindle length is 40 mm.
- Spindle Cross Section is 7mm (+0.0/-0.1mm.)
- Standard package includes 2 nos. Fixing Screws M4 x 50mm. Long and Screw Cap.
- Available in White or Black Powder Coating finish.
- Coating thickness of 90 Microns.
- 24x7 Technical Support.
- Guaranteed for 10 years
- Packing size 100 per box.



Remark: The directives contained in this documentation are the result of our experiments and of our experience and have been submitted in good faith. Because of the diversity of the materials and substrates and the great number of possible applications which are out of our control, we cannot accept any responsibility for the results obtained. In every case it is recommended to carry out preliminary experiments.

McCoy Silicones Limited

(Facade & Fenestration Division)

C-55, Okhla Industrial Area, Phase-1, New Delhi-110020

Tel: +91-11-40623344 | Fax: +91-11-40623355

info@mccoy8m.in | 8010-434-434

mccoygroup.in | mccoy8m.in

Certification



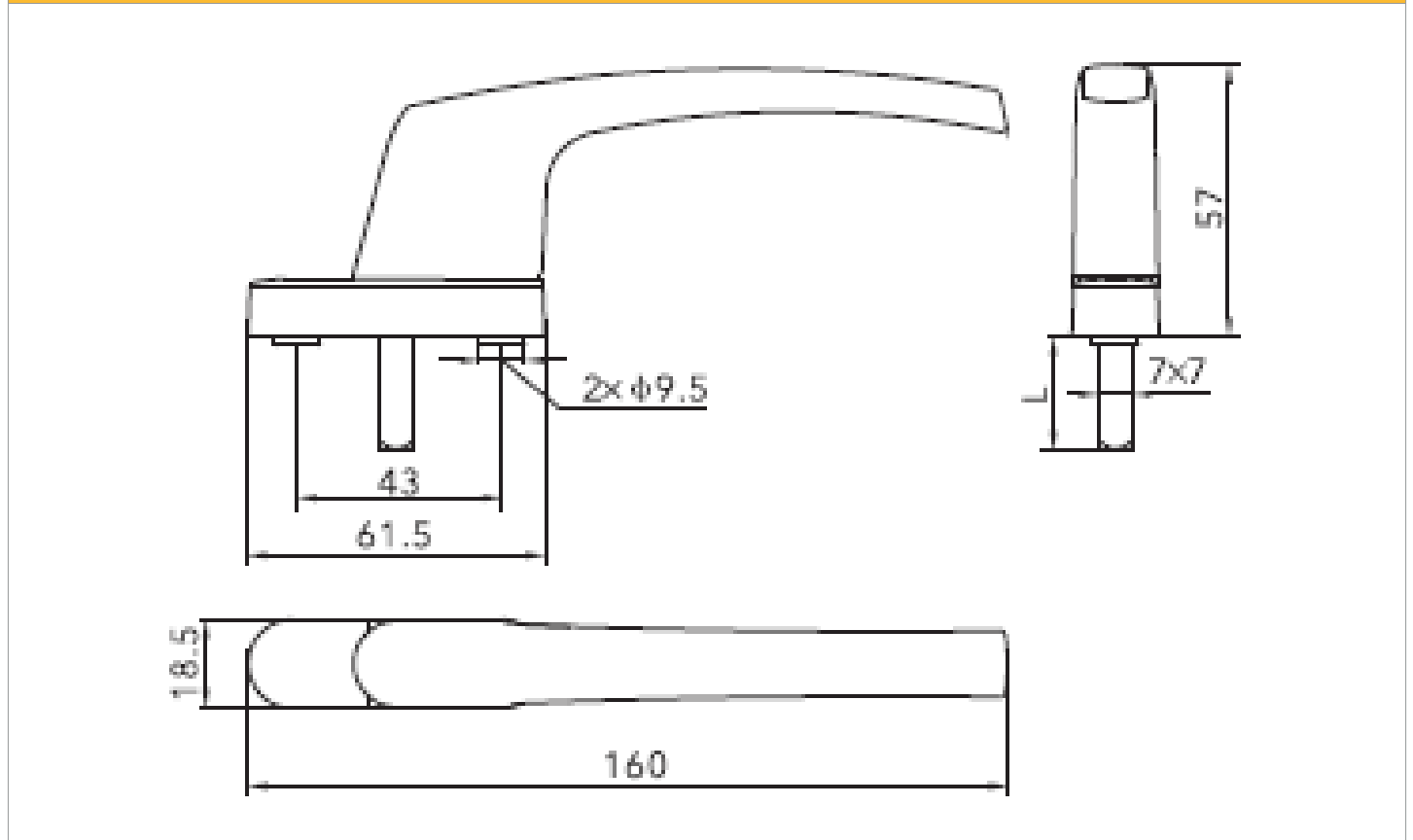
McCoy Soudal is proud to be associated with:



M
A McCoy Group Company

Feature	Advantage	Benefit
Spindle length 40 mm.	The spindle will reach and cross the Espag, thus giving a proper grip to operate.	Suitable for most Profile – Espag combinations. No slippage while operating inside the Espag hole, so longer service life.
Coating thickness 90 µm	Colour does not fade / come off due to weather conditions or repeated gripping by hand.	Longer service life.
Base width 18.6 mm.	Can be used for outward opening windows when there is constrained space on sash for mounting the handle.	Suitable for use with most profiles.

Technical Details



Remark: The directives contained in this documentation are the result of our experiments and of our experience and have been submitted in good faith. Because of the diversity of the materials and substrates and the great number of possible applications which are out of our control, we cannot accept any responsibility for the results obtained. In every case it is recommended to carry out preliminary experiments.

WELCOME TO THE WORLD OF TECHNOLOGY

MCCOY PARTNER SELF SERVICE (PSS) APP



- ✓ Quick order
- ✓ Check order status
- ✓ Check account
- ✓ Loyalty rewards
- ✓ Product videos etc..

Download Now



Products available online on
mccoymart.com

www.mccoy8m.in ☎ +91-8010434434

Remark: The directives contained in this documentation are the result of our experiments and of our experience and have been submitted in good faith. Because of the diversity of the materials and substrates and the great number of possible applications which are out of our control, we cannot accept any responsibility for the results obtained. In every case it is recommended to carry out preliminary experiments.

McCoy Silicones Limited

(Facade & Fenestration Division)

C-55, Okhla Industrial Area, Phase-1, New Delhi-110020
Tel: +91-11-40623344 | Fax: +91-11-40623355

info@mccoy8m.in | 8010-434-434
mccoygroup.in | mccoy8m.in

Certification



McCoy Soudal is proud to be associated with:



M
A McCoy Group Company