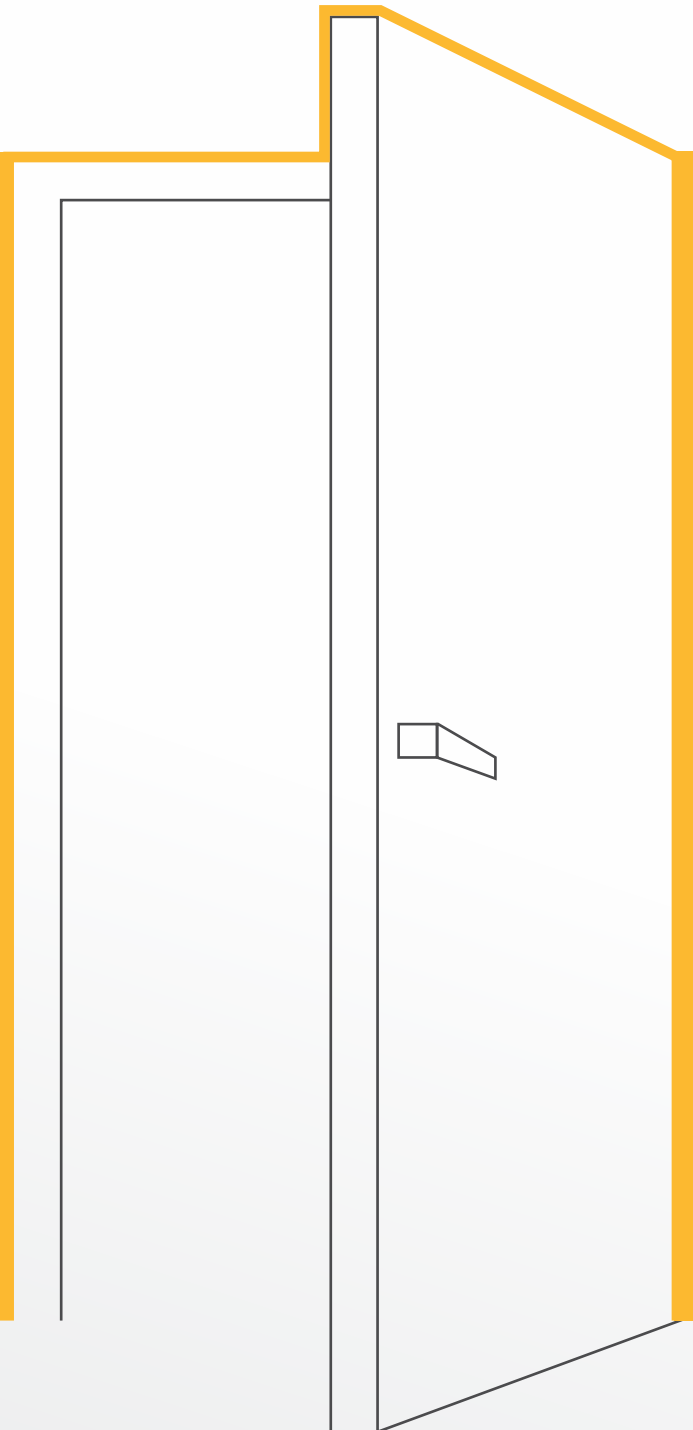


Hardware & Accessories for
**uPVC & Aluminium Doors,
Windows & Curtain Walls**

www.mccoy8m.in | 8010-434-434



3D Hinge for PVC-U Casement Doors - McCoy DH-1

3D Hinge for PVC-U Casement Doors – McCoy DH-1

Highlights:

- 3D hinge for Casement Doors with square shaped Zinc alloy body and SS Axle.
- Load carrying capacity of 90 kg. per 3 Hinges.
- The Coating Thickness is 250 µm.
- The Hinge can be adjusted vertically up to 5mm. from the bottom of the frame part.
- The hinge can be adjusted horizontally up to ± 5mm. from the front of the sash part.
- The difference of depths of surface between Sash and Frame is 17.5mm., further adjustable by ±2.5mm. from the top of the sash part.
- The locating dowel pins are of Ø 5mm. each and should be placed at a distance of 47mm. ± 5mm. from each other.
- Additional Frame packers are available for depth difference compensation between Frame and Sash of thicknesses 1mm. and 2mm., 1 nos. each, respectively.
- Fixing Screws 6 nos. of size M6x40mm. long are also part of the standard supply.
- 24x7 Technical Support.
- Guaranteed for 10 years.
- Packing size is 30 nos. per box.



Remark: The directives contained in this documentation are the result of our experiments and of our experience and have been submitted in good faith. Because of the diversity of the materials and substrates and the great number of possible applications which are out of our control, we cannot accept any responsibility for the results obtained. In every case it is recommended to carry out preliminary experiments.

McCoy Silicones Limited

(Facade & Fenestration Division)

C-55, Okhla Industrial Area, Phase-1, New Delhi-110020

Tel: +91-11-40623344 | Fax: +91-11-40623355

info@mccoy8m.in | 8010-434-434
mccoygroup.in | mccoy8m.in

Certification



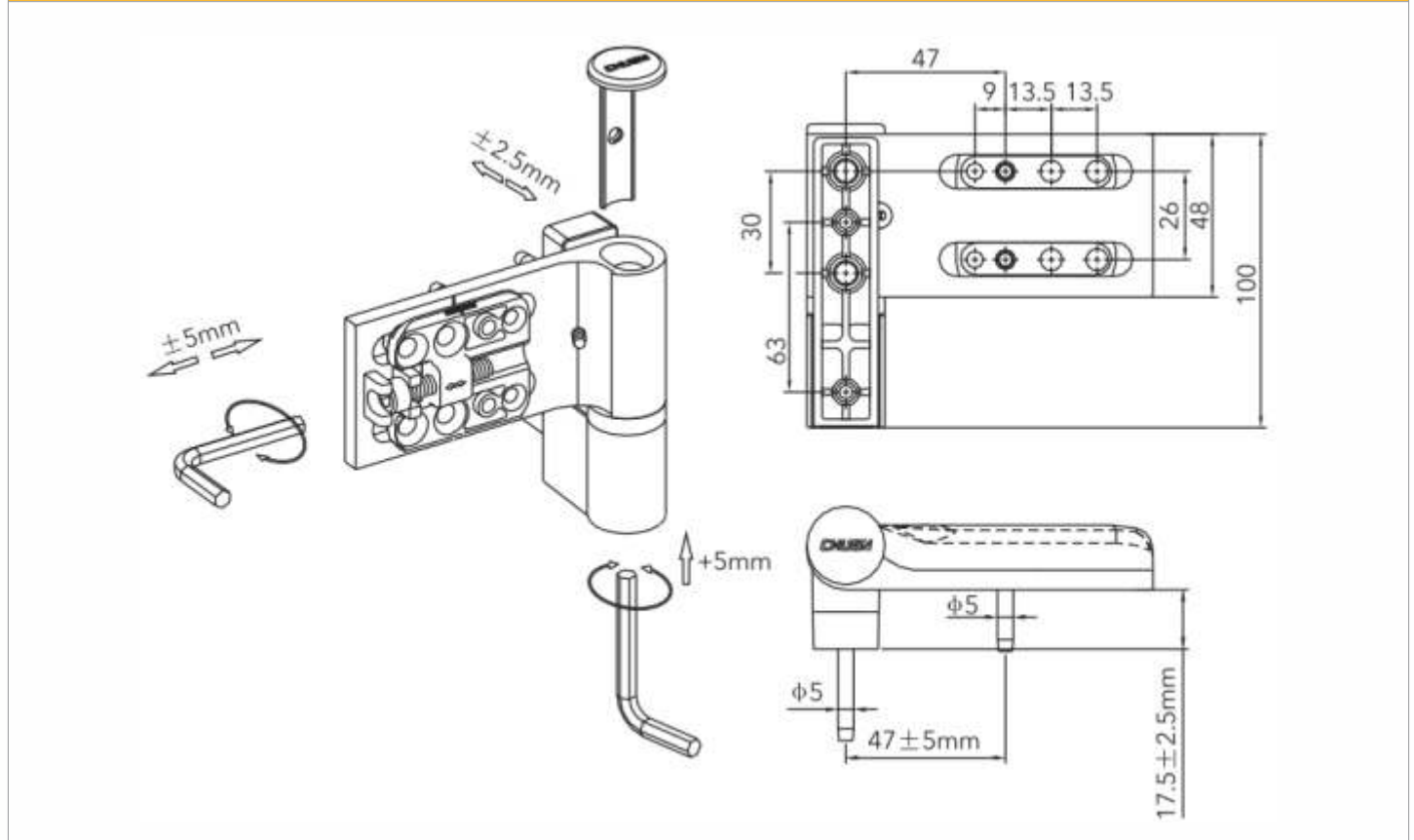
McCoy Soudal is proud to be associated with:



M
A McCoy Group Company

Feature	Advantage	Benefit
Zinc alloy body with 250µm of Coating thickness and SS Axis Spindle.	Very good resistance to corrosion.	Long service life even under adverse environmental conditions.
Sash to Frame surface depth difference adjustment of up to ±2.5mm.	Suitable for use with a wide range of profiles.	Universality of usage.
Vertical adjustment of up to 5mm.	Wide range of adjustment available.	Easy to maintain and bring back proper setting.
Horizontal adjustment of up to ± 5mm.opening profiles.	Wide range of adjustment available.	Easy to maintain and bring back proper setting.

Technical Details



Remark: The directives contained in this documentation are the result of our experiments and of our experience and have been submitted in good faith. Because of the diversity of the materials and substrates and the great number of possible applications which are out of our control, we cannot accept any responsibility for the results obtained. In every case it is recommended to carry out preliminary experiments.

WELCOME TO THE WORLD OF TECHNOLOGY

MCCOY PARTNER SELF SERVICE (PSS) APP



- ✓ Quick order
- ✓ Check order status
- ✓ Check account
- ✓ Loyalty rewards
- ✓ Product videos etc..

Download Now



Products available online on
mccoymart.com

www.mccoy8m.in ☎ +91-8010434434

Remark: The directives contained in this documentation are the result of our experiments and of our experience and have been submitted in good faith. Because of the diversity of the materials and substrates and the great number of possible applications which are out of our control, we cannot accept any responsibility for the results obtained. In every case it is recommended to carry out preliminary experiments.

McCoy Silicones Limited

(Facade & Fenestration Division)

C-55, Okhla Industrial Area, Phase-1, New Delhi-110020

Tel: +91-11-40623344 | Fax: +91-11-40623355

info@mccoy8m.in | 8010-434-434
mccoygroup.in | mccoy8m.in

Certification



McCoy Soudal is proud to be associated with:



M
A McCoy Group Company